

Regethermic Pump-fill MK8 Touch Series

SPECIFICATIONS



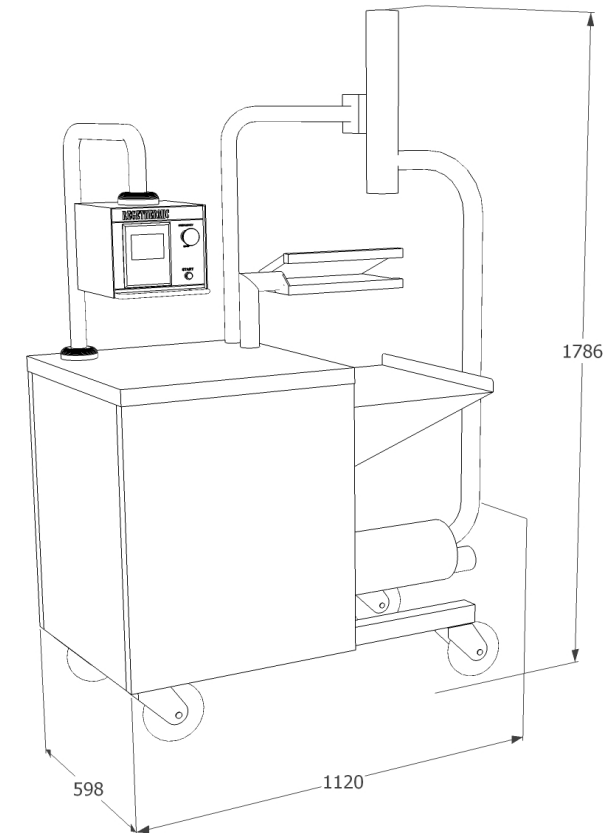
Pneumatic Model

MODEL	Power supply	Compressed air supply (not provided)	External Dimensions (w x d x h)	Manufacturing material
MK 8	240V Single Phase 10 amp	375 litre/min @ 7 Bar min	1786 x 598 x 1120	304 Stainless steel

NOTE: Dry air recommended for best performance of pneumatic components

Electric Model

MODEL	Power supply	External Dimensions (w x d x h)	Manufacturing material
MK 8	20-amp 230V 1 Phase Or 10-amp 415V 3 Phase Frequencies from 40 to 60 Htz 120 milliamp earth leakage.	1786 x 598 x 1120	304 Stainless steel



131 Alexander Street
Crows Nest NSW 2065
Ph +61 2 9966 9500