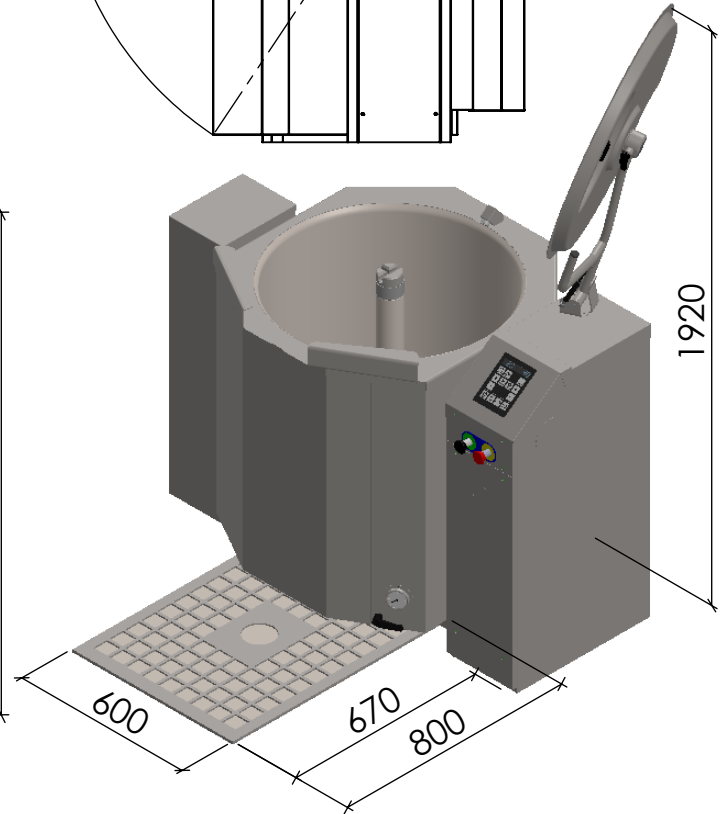
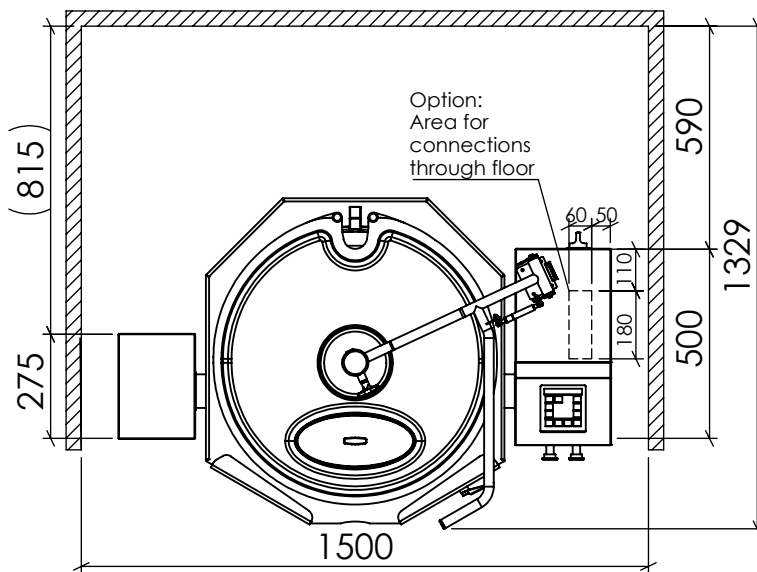


## Kettle Celer 200



### Technical information

- Tilting height 425 mm
- Volume net/gross 200 liters / 215 liters
- Weight 215 kg
- Transport package (WxDxH) 1490 x 1025 x 1330 mm / 260 kg

#### Connections (Flexible):

- Electric (Electric model) #E1 33kW, 400V, 3~, 63A, 50/60 Hz
- Cold water #2 DN 15, G1/2", 2...8 bar, Filtered to 15 µm, \*
- Warm water (Option) #3 DN 15, G1/2", 2...8 bar
- Soft water (Option) #5 DN 15, G1/2", 1...8 bar, Filtered to 15 µm, \*

\* Water for steam generator: 0...40°C, max 6°dH, conductivity 30...1000 µS/cm, chloride <100 mg/l, chlorine <0,25 mg/l, pH 6,5...9,5

#### Options (factory installation required):

Wash hose with spray pistol • Single hand faucet Cold/Warm for spray pistol • Food temperature measurement for external HACCP-system • Chill CH1 • Connections through floor

#### Accessories:

- Strainer plate • Washing tool • Mixing hook • Whipping tool • Container support • Tool trolley
- Wall bracket for mixing tools



Regethermic | Unit 4, 7-9 Orion Rd, Lane Cove West, NSW, 2066, Australia  
Tel. +61 2 9966 9500 | www.regethermic.com.au | info@regethermic.com.au

**Dieta**<sup>®</sup>

We reserve the right to make changes without notice.